

Drawing No.	Rev.	Page
LR10-001-A18	A	1 / 1

<h1>SPECIFICATIONS</h1>	Drawn	K. Sugimoto 27. Feb. '23
	Checked	D. Shigematsu 27. Feb. '23
	Approved	Y. Naito 27. Feb. '23

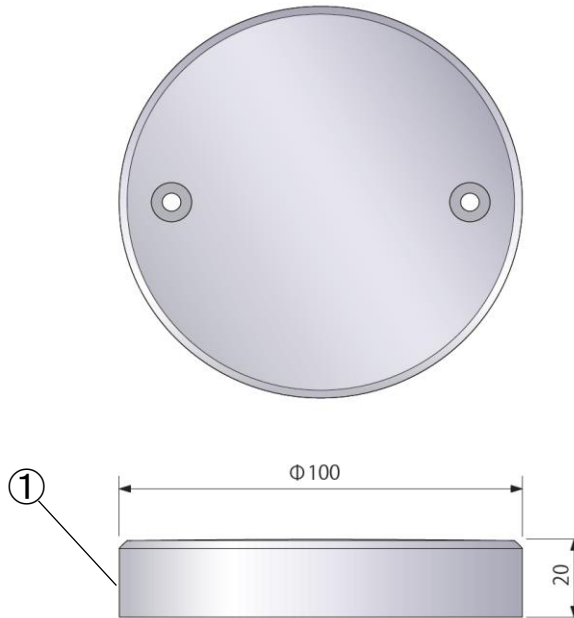
[1. General Specifications]

Model	LR10-001
Compatible models	LR10-E-□
Mass (Tolerance ±10%)	36g
Color	Off-White
Remarks	There are no contents of controlled substances exceeding the threshold for the RoHS Directive.


[2. Outer Dimensions]

(Unit:mm)

LR10-001



Number	Name	Material	UL Flammability
1	Head Cover S	PC	V-2

Accessory※
O-ring, Silicone

2pcs

