



Air Preparation Products P3N Series

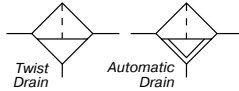
P3NF Particulate Filters	G2-G3
P3NF Coalescing Filters	G4-G5
P3NR Regulators	G6-G7
P3NR Pilot Controlled Regulators	G8-G9
P3NE Filter / Regulators	G10-G11
P3NL Lubricators	G12-G13
P3NC Modular Combinations	G14-G15



Hi-Flow Particulate Filters

P3NF Particulate Filters - Hi-Flow

- Port blocks (PB) available to provide 1-1/2" port extension to 1" ported bodies
- Excellent water removal efficiency
- Metal bowl with sight gauge
- Large filter element surface guarantees low pressure drop and increased element life
- Twist drain as standard, optional auto float drain
- 3/4", 1", 1-1/2" port, NPT & BSPP



Port Size	Description	Part Number
3/4"	Metal Bowl, Sight Gauge, Twist Drain	P3NFA96GSM
3/4"	Metal Bowl, Sight Gauge, Auto Float Drain	P3NFA96GSA
1"	Metal Bowl, Sight Gauge, Twist Drain	P3NFA98GSM
1"	Metal Bowl, Sight Gauge, Auto Float Drain	P3NFA98GSA
1-1/2"*	Metal Bowl, Sight Gauge, Twist Drain	P3NFA9PGSM
1-1/2"*	Metal Bowl, Sight Gauge, Auto Float Drain	P3NFA9PGSA
#	1" port body with 1-1/2" port block.	

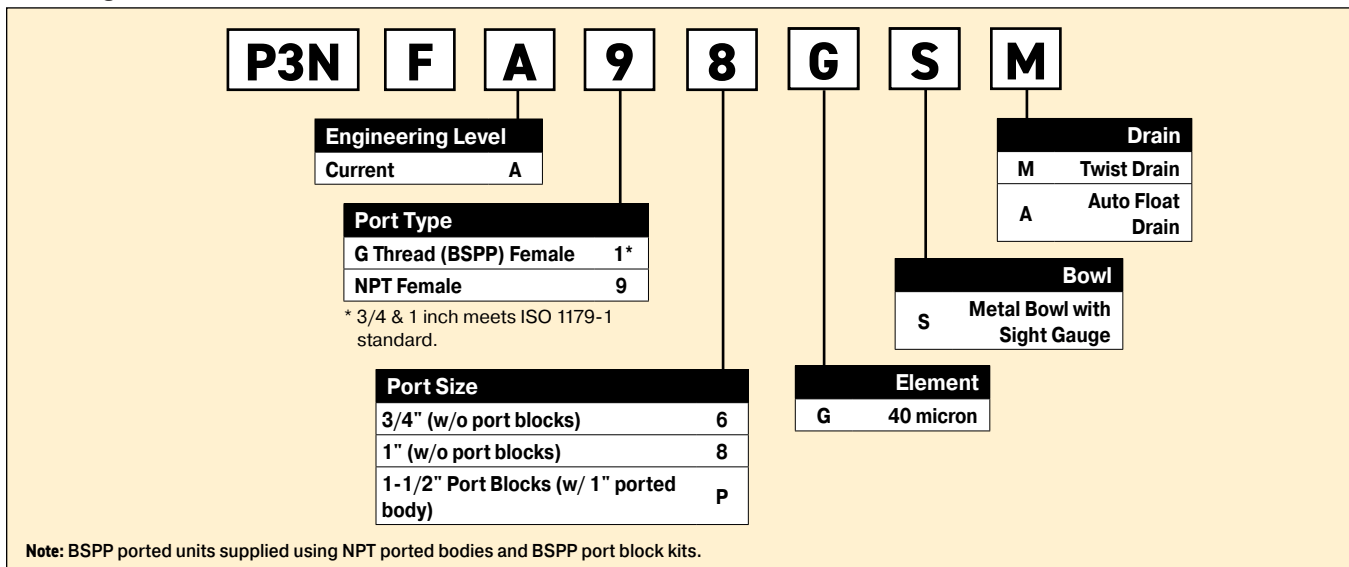
Operating information

Supply pressure (max):	0 to 250 psig (0 to 17.2 bar)	
Operating temperature:	32°F to 175°F (0°C to 80°C)	
Flow capacity ¹ :		
High flow	3/4"	270 scfm (127.4 dm ³ /s, ANR)
	1"	300 scfm (141.6 dm ³ /s, ANR)
	1-1/2"	300 scfm (141.6 dm ³ /s, ANR)
Bowl capacity:	18.0 oz.	
Sump capacity:	6.8 oz.	
Weight:	3/4", 1"	3.5 lb (1.6 kg)
	1-1/2" #	4.6 lb (2.1 kg)

¹ scfm = Standard cubic feet per minute at 90 psig inlet and 5 psig pressure drop, with 40 micron element.

1" port body with 1-1/2" port block

Ordering Information:



Most popular.



P3N Products
G
Filters
Coalescers
Regulators
Filter / Regulators
Lubricators
Combinations

Hi-Flow Particulate Filters

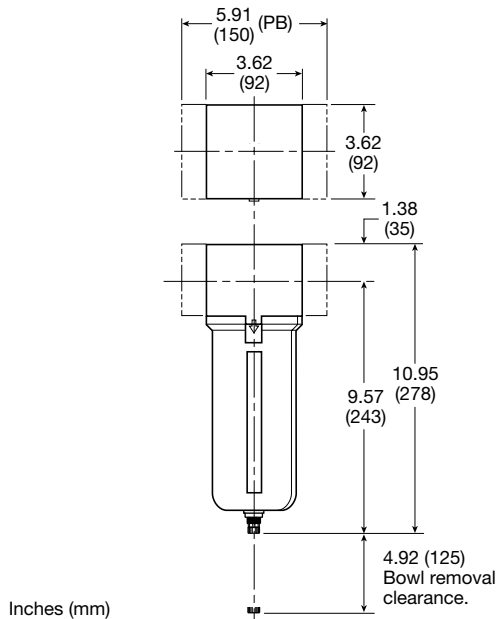
Material Specifications

Body, bowl	Aluminum
Deflector	Plastic
Drain	Plastic
Element	Plastic
Adsorber (optional)	Activated charcoal
Seals	Nitrile
Sight gauge (nylon)	Polyamide

Repair and Service Kits

Metal bowl / sight gauge / auto float drain	P3NKA00BSA
Metal bowl / sight gauge / twist drain	P3NKA00BSM
Bowl latch kit	C11A33
DPI replacement kit	PS781P
Automatic float drain	PS506P
Twist drain	PS512P
40 micron element	P3NKA00ESG
5 micron element	P3NKA00ESE
Adsorber element	P3NKA00ESA
Mounting bracket kit*	P3NKA00MW
Sight gauge kit	P3NKA00PE

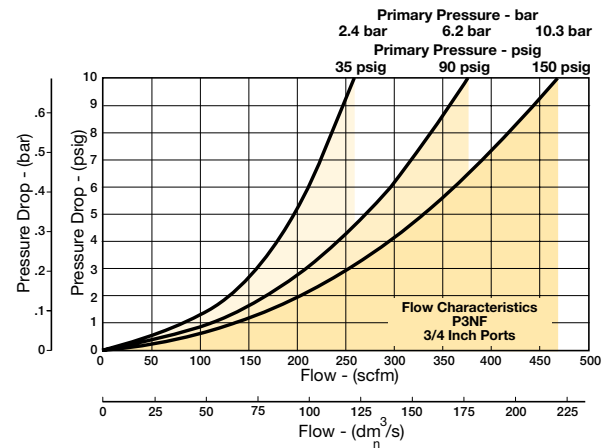
* If 1-1/2 BSPP E02 fittings are required, use P3NKA0BMW.



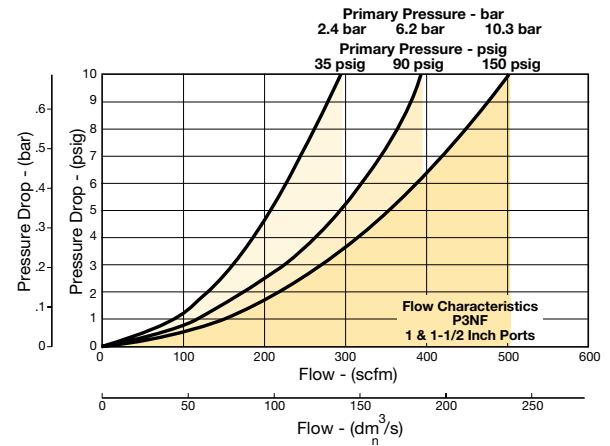
Air Preparation Products P3N Products

Flow Charts

P3NF 3/4" Particulate Filter

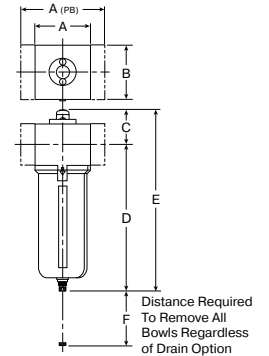
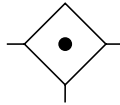


P3NF 1" & 1-1/2" Particulate Filter



P3NF Coalescing Filters - Hi-Flow

- Port blocks (PB) available to provide 1-1/2" port extension to 1" ported bodies
- Metal bowl with sight gauge
- Large filter element surface guarantees low pressure drop and increased element life
- Twist Drain as standard, optional automatic float drain
- 3/4", 1", 1-1/2" # ports (NPT, BSPP)



Port Size	Description	Part Number
3/4"	Metal Bowl, Sight Gauge, Twist Drain	P3NFA96DSM
3/4"	Metal Bowl, Sight Gauge, Auto Float Drain	P3NFA96DSA
1"	Metal Bowl, Sight Gauge, Twist Drain	P3NFA98DSM
1"	Metal Bowl, Sight Gauge, Auto Float Drain	P3NFA98DSA
1-1/2" #	Metal Bowl, Sight Gauge, Twist Drain	P3NFA9PDSM
1-1/2" #	Metal Bowl, Sight Gauge, Auto Float Drain	P3NFA9PDSA

Standard part numbers shown bold, with Grade 6 Elements. For other models refer to ordering information below.
1" port body with 1-1/2" port block.

Operating information

Supply pressure (max):	0 to 250 psig (0 to 17.2 bar)
Auto float drain	15 to 250 psig (1.0 to 17.2 bar)
Operating temperature:	32°F to 175°F (0°C to 80°C)
Flow capacity†:	
High flow	3/4" 130 scfm (61 dm³/s, ANR)
	1" 140 scfm (66 dm³/s, ANR)
	1-1/2" 140 scfm (66 dm³/s, ANR)
Bowl capacity:	18.0 oz.
Sump capacity:	6.8 oz.
Weight:	3/4", 1" 3.5 lb (1.6 kg)
	1-1/2" # 4.6 lb (2.1 kg)

† scfm = Standard cubic feet per minute at 90 psig inlet and 5 psig pressure drop

1" port body with 1-1/2 port block

Ordering Information:

P3N F A 9 8 D S M

Engineering Level	Drain
Current A	M Twist Drain
	A Auto Float Drain
Port Type	Bowl
G Thread (BSPP) Female 1*	S Metal Bowl with Sight Gauge
NPT Female 9	
* 3/4 & 1 inch meets ISO 1179-1 standard.	
Port Size	Element
3/4" (w/o port blocks) 6	D Grade 6 with DPI Indicator
1" (w/o port blocks) 8	
1-1/2" Port Blocks (w/ 1" ported body) P	

Note: BSPP ported units supplied using NPT ported bodies and BSPP port block kits.

☐ Most popular.

P3N Products
G
Filters
Coalescers
Regulators
Filter / Regulators
Lubricators
Combinations

Hi-Flow Coalescing Filters

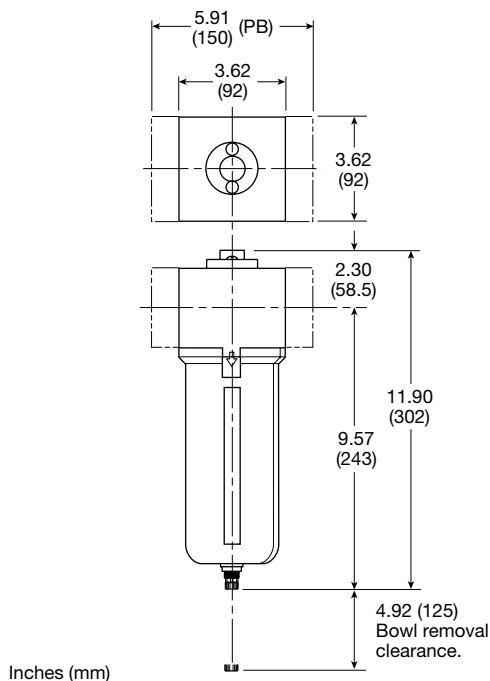
Material Specifications

Body, bowl	Aluminum
Deflector	Plastic
Drain	Plastic
Element	Borosilicate & felt glass fibers
Largest aerosol particle passed (Grade 6)	0.01 micron
Largest solid particle passed (Grade 6)	0.30 micron
Seals	Nitrile
Sight gauge (nylon)	Polyamide

Repair and Service Kits

Metal bowl / sight gauge / automatic float drain	P3NKA00BSA
Metal bowl / sight gauge / twist drain	P3NKA00BSM
Bowl latch kit	C11A33
DPI replacement kit	PS781P
Automatic float drain kit	PS506P
Twist drain kit	PS512P
Grade 6 element (standard)	P3NKA00ESCB
Sight gauge kit	P3NKA00PE
Mounting bracket kit*	P3NKA00MW

* If 1-1/2 BSPP E02 fittings are required, use P3NKA00BMW.

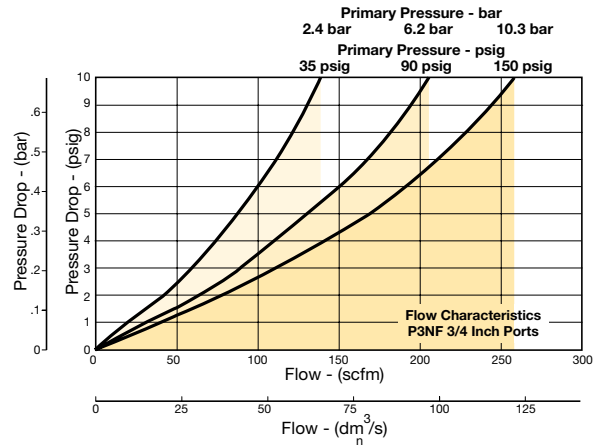


Air Preparation Products P3N Products

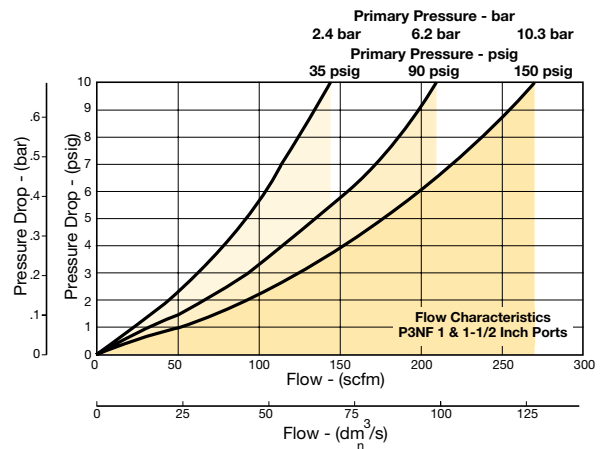
Flow Charts

Grade 6 Element

P3NF 3/4" Coalescing Filter



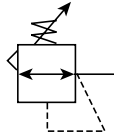
P3NF 1" & 1-1/2" Coalescing Filter



Hi-Flow Regulators

P3NR Regulators - Hi-Flow

- Port blocks (PB) available to provide 1-1/2" port extension to 1" ported bodies
- Self relieving feature plus balanced poppet provides quick response and accurate pressure regulation
- Solid control piston for extended life
- 3/4", 1", 1-1/2" ports (NPT, BSPP)



Operating information

Supply pressure (max):	250 psig (17.2 bar)	
Operating temperature:	32°F to 175°F (0°C to 80°C)	
Flow capacity [†] :		
High flow	3/4"	200 scfm (94.4 dm ³ /s, ANR)
	1"	300 scfm (141.6 dm ³ /s, ANR)
	1-1/2"	300 scfm (141.6 dm ³ /s, ANR)
Gauge ports (2):	1/4 inch	
Weight:	3/4", 1"	4.2 lb (1.9 kg)
	1-1/2" #	5.3 lb (2.4 kg)

[†] scfm = Standard cubic feet per minute at 100 psig inlet, 90 psig no flow secondary setting and 10 psig pressure drop.
1" port body with 1-1/2" port block

Port Size	Description	Part Number
3/4"	Without Gauge	P3NRA96BNN
3/4"	With 160 psi Gauge	P3NRA96BNG
1"	Without Gauge	P3NRA98BNN
1"	With 160 psi Gauge	P3NRA98BNG
1-1/2" #	Without Gauge	P3NRA9PBNN
1-1/2" #	With 160 psi Gauge	P3NRA9PBNG

1" port body with 1-1/2" port block.
NOTE: 2.0 Dia. (51 mm) hole required for panel mounting.

Ordering Information:

P3N	R	A	9	8	B	N	N
Engineering Level		Port Type		Port Size		Pressure Gauge	
Current A		G Thread (BSPP) Female 1* NPT Female 9		3/4" (w/o port blocks) 6 1" (w/o port blocks) 8 1-1/2" Port Blocks (w/ 1" ported body) P		Without Gauge N 125 psi (0 to 8 bar) H 250 psi (0 to 17 bar) With Gauge G 125 psi (0 to 8 bar) J 250 psi (0 to 17 bar)	
		* 3/4 & 1 inch meets ISO 1179-1 standard.				Adjustment	
						N Non-Rising Knob	
						Relief	
						B Relieving	

Note: BSPP ported units supplied using NPT ported bodies and BSPP port block kits.

Most popular.

P3N Products
G
Filters
Coalescers
Regulators
Filter / Regulators
Lubricators
Combinations

Hi-Flow Regulators

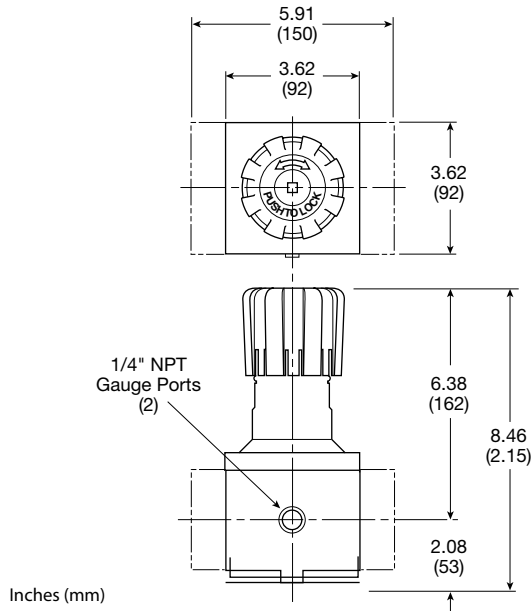
Material Specifications

Adjusting stem	Steel
Body	Aluminum
Bonnet	Aluminum
Knob	Plastic
Piston	Plastic
Poppet assembly	Brass
Seals	Nitrile
Springs, poppet & control	Steel

Repair and Service Kits

Control knob	P3NKA00PN
2" dial face 60 psig (0 to 4.1 bar), gauge	K4520N14060
2" dial face 160 psig (0 to 11.0 bar), gauge	K4520N14160
2" dial face 300 psig (0 to 20.7 bar), gauge	K4520N14300
1-3/4" digital round face 160 psig (0 to 11.0 bar), gauge	K4517N14160D
Mounting bracket kit*	P3NKA00MW
Relieving	P3NKA00RR
Non-relieving	P3NKA00RN
1-60 psig spring	C10A1304
2-125 psig spring	C10A1308
5-250 psig spring	C10A1317

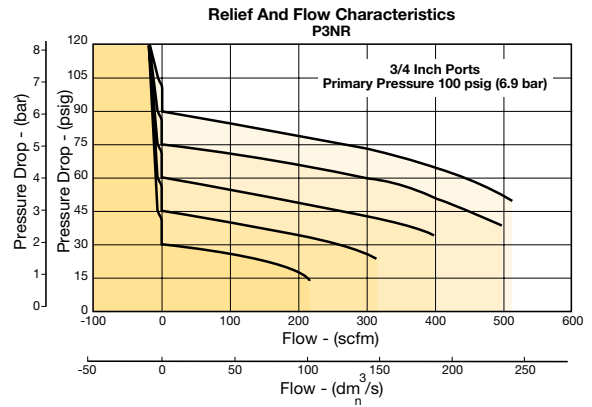
* If 1-1/2 BSPP E02 fittings are required, use P3NKA00BMW.



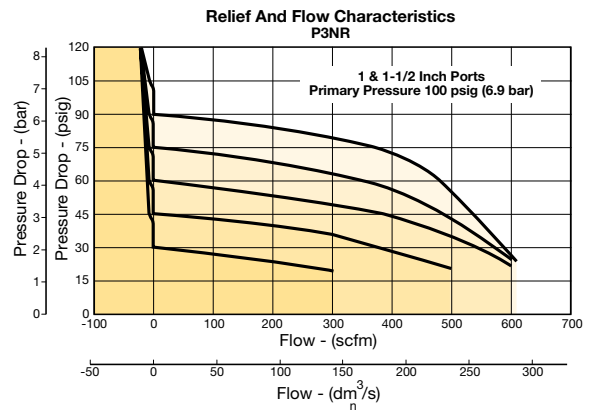
Air Preparation Products P3N Products

Flow Charts

P3NR 3/4" Regulator



P3NR 1" & 1-1/2" Regulator



⚠ WARNING

**Product rupture can cause serious injury.
Do not connect regulator to bottled gas.
Do not exceed Maximum primary pressure rating.**

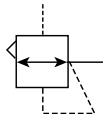
CAUTION:

REGULATOR PRESSURE ADJUSTMENT – The working range of knob adjustment is designed to permit outlet pressures within their full range. Pressure adjustment beyond this range is also possible because the knob is not a limiting device. This is a common characteristic of most industrial regulators, and limiting devices may be obtained only by special design. For best performance, regulated pressure should always be set by increasing the pressure up to the desired setting.



P3NR Pilot Controlled Regulator - Hi-Flow

- Port blocks (PB) available to provide 1-1/2" port extension to 1" ported bodies
- Self relieving feature plus balanced poppet provides quick response and accurate pressure regulation
- Solid control piston for extended life
- 3/4", 1" 1-1/2" ports (NPT, BSPP)



Port Size	Description	Part Number
3/4"	Without Gauge	P3NRA96BPP
1"	Without Gauge	P3NRA98BPP
1-1/2"*	Without Gauge	P3NRA9PBPP

* 1" port body with 1-1/2" port block.

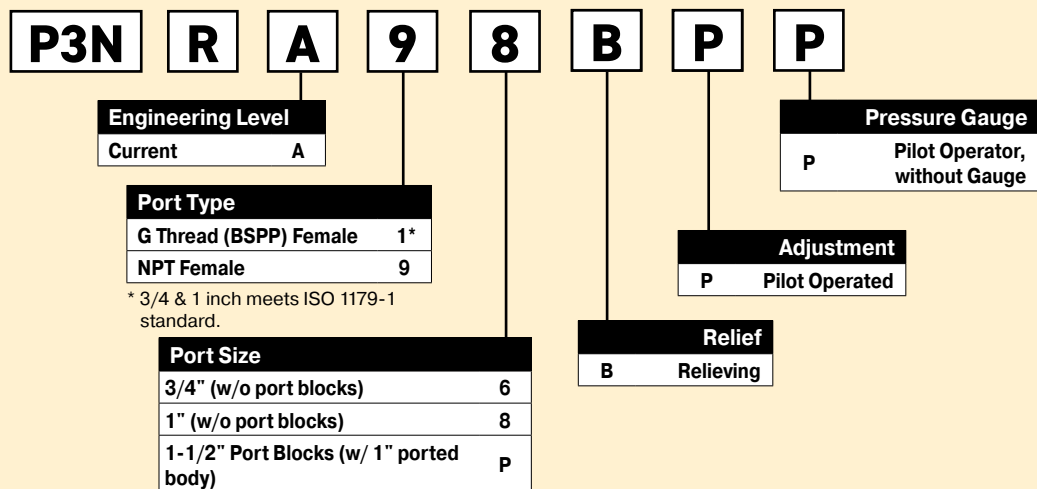
Operating information

Supply pressure (max):	250 psig (17.2 bar)	
Operating temperature:	32°F to 175°F (0°C to 80°C)	
Flow capacity†:		
High flow	3/4"	300 scfm (141.6 dm³/s, ANR)
	1"	300 scfm (141.6 dm³/s, ANR)
	1-1/2"	350 scfm (165.2 dm³/s, ANR)
Gauge ports (2):	1/4 inch	
Weight:	3/4", 1"	3.3 lb (1.5 kg)
	1-1/2" #	4.4 lb (2.0 kg)

† scfm = Standard cubic feet per minute at 100 psig inlet, 90 psig no flow secondary setting and 10 psig pressure drop.

1" port body with 1-1/2" port block

Ordering Information:



Note: BSPP ported units supplied using NPT ported bodies and BSPP port block kits.

Most popular.



Hi-Flow Pilot Controlled Regulators

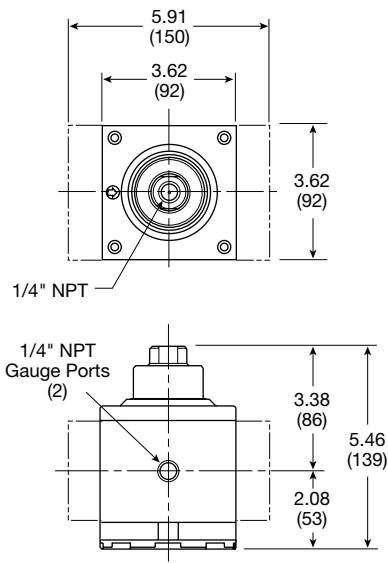
Material Specifications

Adjusting stem	Steel
Body	Aluminum
Bonnet	Aluminum
Piston	Plastic
Poppet assembly	Brass
Seals	Nitrile
Springs – poppet	Steel

Repair and Service Kits

2" dial face 60 psig (0 to 4.1 bar), gauge	K4520N14060
2" dial face 160 psig (0 to 11.0 bar), gauge	K4520N14160
2" dial face 300 psig (0 to 20.7 bar), gauge	K4520N14300
1-3/4" digital round face 160 psig (0 to 11.0 bar), gauge	K4517N14160D
Mounting bracket kit*	P3NKA00MW
Relieving	P3NKA00PD

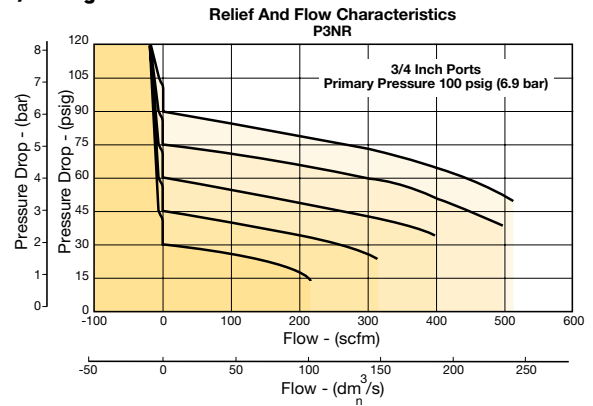
* If 1-1/2 BSPP E02 fittings are required, use P3NKA0BMW.



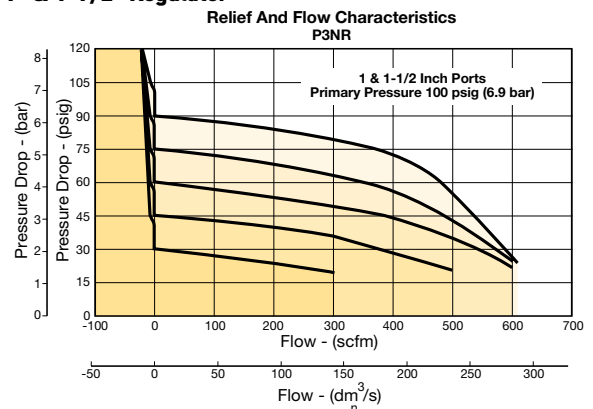
Air Preparation Products P3N Products

Flow Charts

P3NR 3/4" Regulator



P3NR 1" & 1-1/2" Regulator



⚠ WARNING

**Product rupture can cause serious injury.
Do not connect regulator to bottled gas.
Do not exceed Maximum primary pressure rating.**



Hi-Flow Filter / Regulators

Material Specifications

Adjusting stem	Steel
Body, bonnet, bowl	Aluminum
Drain	Plastic
40 micron element (standard)	Plastic
5 micron element (optional)	Plastic
Adsorber element (optional)	Activated charcoal
Knob	Plastic
Piston	Plastic
Seals	Nitrile
Sight gauge	Polyamide (nylon)
Poppet & control, spring	Steel

Repair and Service Kits

Metal bowl, sight gauge / auto float drain	P3NKA00BSA
Metal bowl, sight gauge / twist drain	P3NKA00BSM
Bowl latch kit	C11A33
Control knob	P3NKA00PN
Auto float drain	PS506P
Twist drain	PS512P
40 micron element	P3NKA00ESG
5 micron element	P3NKA00ESE
Adsorber element	P3NKA00ESA
2" dial face 60 psig (0 to 4.1 bar), gauge	K4520N14060
2" dial face 160 psig (0 to 11.0 bar), gauge	K4520N14160
2" dial face 300 psig (0 to 20.7 bar), gauge	K4520N14300
1-3/4" digital round face 160 psig (0 to 11.0 bar), gauge	K4517N14160D
Mounting bracket kit*	P3NKA00MW
Relieving	P3NKA00RR
Non-relieving	P3NKA00RN
Sight gauge kit	P3NKA00PE
1-60 psig spring	C10A1304
2-125 psig spring	C10A1308
5-250 psig spring	C10A1317

* If 1-1/2 BSSPP E02 fittings are required, use P3NKA00BMW.



WARNING

**Product rupture can cause serious injury.
Do not connect regulator to bottled gas.
Do not exceed Maximum primary pressure rating.**

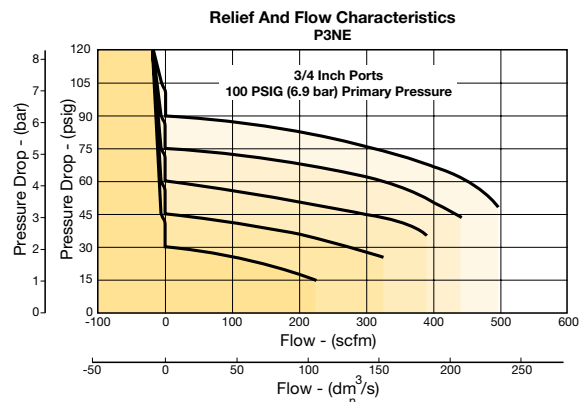
CAUTION:

REGULATOR PRESSURE ADJUSTMENT – The working range of knob adjustment is designed to permit outlet pressures within their full range. Pressure adjustment beyond this range is also possible because the knob is not a limiting device. This is a common characteristic of most industrial regulators, and limiting devices may be obtained only by special design. For best performance, regulated pressure should always be set by increasing the pressure up to the desired setting.

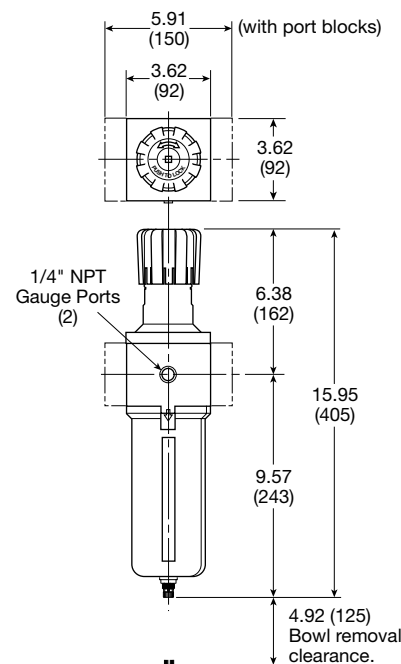
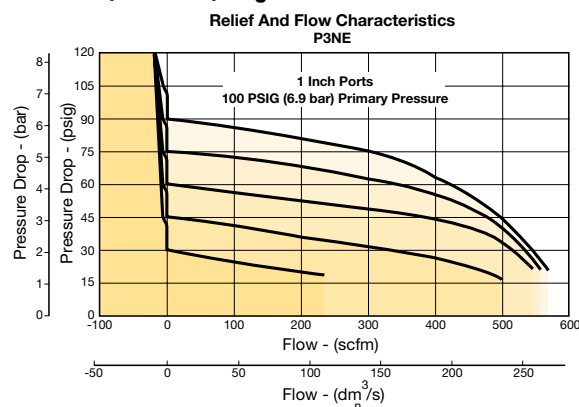
Air Preparation Products P3N Products

Flow Charts

P3NE 3/4" Filter / Regulator



P3NE 1" & 1-1/2" Filter / Regulator



Inches (mm)



P3NL Mist Lubricators - Hi-Flow

- Port blocks (PB) available to provide 1-1/2" port extension to 1" ported bodies
- Proportional oil delivery over a wide range of air flows
- Bowl can be filled while air line is under pressure
- Transparent sight dome for 360° visibility
- Integral 3/4", 1" ports (NPT, BSPP)



Port Size	Description	Part Number
3/4"	Metal Bowl, Sight Gauge, No Drain	P3NLA96LSN
1"	Metal Bowl, Sight Gauge, No Drain	P3NLA98LSN
1-1/2" #	Metal Bowl, Sight Gauge, No Drain	P3NLA9PLSN
#	1" Port Body with 1-1/2" Port Block.	

Operating information

Supply pressure (max):	250 psig (17.2 bar)	
Operating temperature:	32°F to 175°F (0°C to 80°C)	
Flow capacity†:		
High flow	3/4"	240 scfm (113.3 dm³/s, ANR)
	1"	250 scfm (118 dm³/s, ANR)
	1-1/2"	260 scfm (122.7 dm³/s, ANR)
Minimum flow	6.6 scfm (3.1 dm³/s, ANR) at 100 psig (6.9 bar)	
Bowl capacity:	18.0 oz.	
Weight:	3/4", 1"	3.5 lb (1.6 kg)
	1-1/2" #	4.6 lb (2.1 kg)
† scfm = Standard cubic feet per minute at 90 psig inlet and 5 psig pressure drop.		
# 1" port body with 1-1/2" port block		

Ordering Information:

P3NL	A	9	8	L	S	N
Engineering Level Current A				Drain / Fill Device N No Drain, Solid Bowl / Fill Plug		
Port Type G Thread (BSPP) Female 1* NPT Female 9				Bowl S Metal Bowl w/ Sight Gauge		
* 3/4 & 1 inch meet ISO 1179-1 Standard.				Type L Oil Mist w/ Polycarbonate Sight Dome		
Port Size 3/4" (w/o port blocks) 6 1" (w/o port blocks) 8 1-1/2" Port Blocks (w/ 1" ported body) P						

Note: All configured BSPP ported units are supplied using NPT ported bodies and BSPP port block kits.

Suggested Lubricant **F442 Oil**

Petroleum based oil of 100 to 200 SUS viscosity at 100°F (38°C) and an aniline point greater than 200°F (93°C)
 (DO NOT USE OILS WITH ADDITIVES, COMPOUNDED OILS CONTAINING SOLVENTS, GRAPHITE, DETERGENTS, OR SYNTHETIC OILS.)

Most popular.

P3N Products

G

Filters

Coalescers

Regulators

Filter / Regulators

Lubricators

Combinations



Hi-Flow Mist Lubricators

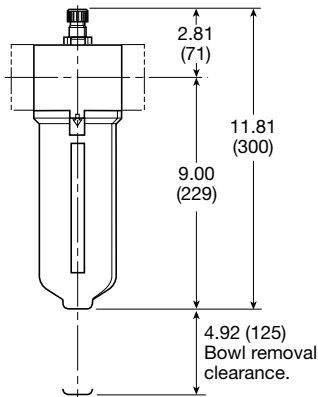
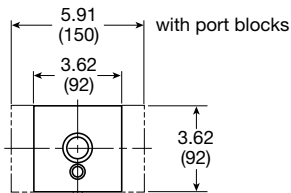
Material Specifications

Body, bowl	Aluminum
Injector meter block & base assembly	Plastic
Seals	Nitrile
Sight dome	Polycarbonate
Sight gauge	Polyamide (nylon)

Repair and Service Kits

Adjustment knob	P04121
Metal bowl / sight gauge / twist drain	P3NKA00BSM
Metal bowl / sight gauge / no drain	P3NKA00BSN
Bowl latch kit	C11A33
Twist drain kit	PS512P
Fill cap kit	P3NKA00PL
Sight dome kit, polycarbonate	PS740P
Sight dome kit, nylon	PS740N
Sight gauge kit	P3NKA00PE
Pressure fill adapter kit	P3NKA00PK
Service kit	P3NKA00RL
Mounting bracket kit*	P3NKA00MW
Oil (1 quart)	F442001
Oil (1 gallon)	F442002
Oil (12 quart case)	F442003
Oil (4 gallon case)	F442005

* If 1-1/2 BSPP E02 fittings are required, use P3NKA00BMW.

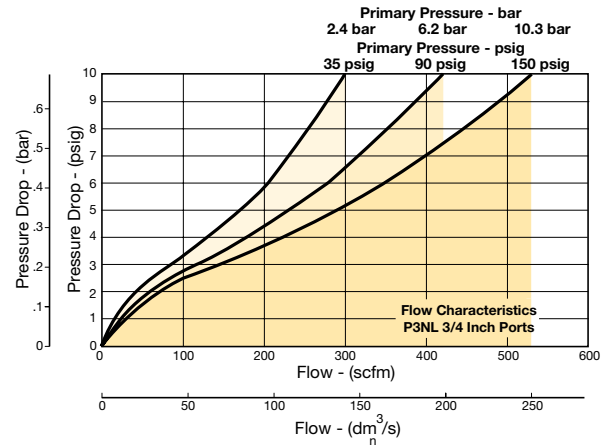


Inches (mm)

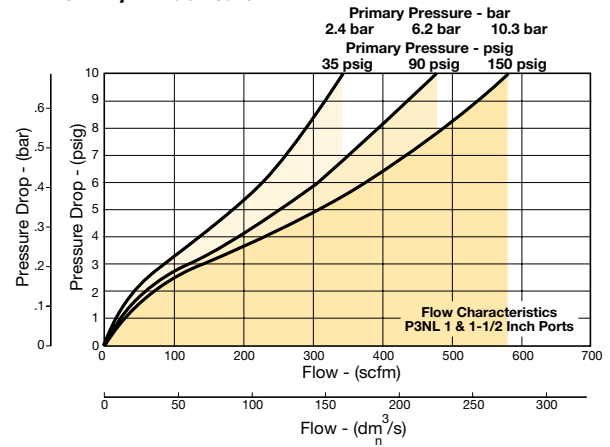
Air Preparation Products P3N Products

Flow Charts

P3NL 3/4" Lubricator



P3NL 1" & 1-1/2" Lubricator



P3N Products

G

Filters

Coalescers

Regulators

Filter /
Regulators

Lubricators

Combinations



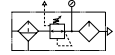
Air Preparation Products P3N Products

Modular Combinations

Popular Combinations: Inlet pressure 90 psig (6.2 bar), and 0.3 psig (5 bar) pressure drop.



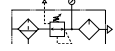
Filter/Regulator + Lubricator Combinations, metal bowl, manual twist drain 40 micron element, 125 psig (8.6 bar) regulator without gauge



Port Size	Bowl Type	Relief Type	Manual Twist Drain
3/4"	Metal, Twist Drain	Relieving	P3NCA96SGMNNLNA
1"	Metal, Twist Drain	Relieving	P3NCA98SGMNNLNA
1-1/2"*	Metal, Twist Drain	Relieving	P3NCA9PSGMNNLNA



Filter + Regulator + Lubricator Combinations, metal bowl, manual twist drain 40 micron element, 125 psig (8.6 bar) regulator without gauge



Port Size	Bowl Type	Relief Type	Manual Twist Drain
3/4"	Metal, Twist Drain	Relieving	P3NCB96SGMNNLNA
1"	Metal, Twist Drain	Relieving	P3NCB98SGMNNLNA
1-1/2"*	Metal, Twist Drain	Relieving	P3NCB9PSGMNNLNA

Notes: All combo part numbers are with regulator knob in up position.

BSPP ported units supplied using NPT ported bodies and BSPP port block kits.

* 1" Port body with 1-1/2" port block

Ordering Information:

	P3N	C	A	9	6	S	G	M	N	N	L	N	A
Type	Combination, Modular		C										Mounting Option
	2-Unit, Hi-Flow, Metal Bowl		A										A No Bracket or Kits
	3-Unit, Hi-Flow, Metal Bowl		B										B Wall Bracket
Port Type	G Thread (BSPP) Female		1										Lubricator Drain / Fill Device
	NPT Female		9										N No Drain, Solid Bowl / Fill Plug
Port Size	3/4" (w/o port blocks)		6										Lubricator Type
	1" (w/o port blocks)		8										L Oil Mist w/ Polycarbonate Sight Dome
	1-1/2" Port Blocks (w/ 1" ported body)		P										Pressure Gauge
Bowl	Metal Bowl w/ Sight Gauge		S										N 125 psi (0 to 8 bar), without Gauge
Element	40 micron		G										H 250 psi (0 to 17 bar), without Gauge
													G 125 psi (0 to 8 bar), with Gauge
													J 250 psi (0 to 17 bar), with Gauge
													Relief
													N Relieving
													Drains
													M Twist Drain
													A Auto Float Drain

Note: All configured BSPP ported units are supplied using NPT ported bodies and BSPP port block kits.

Most popular.



P3N Products
G
Filters
Coalescers
Regulators
Filter / Regulators
Lubricators
Combinations

Modular Combinations

Repair and Service Kits

Mounting bracket kit	P3NKA00MW
Replacement body cover	P3NKA00PM
Individual NPT 3/4" Port block kits	P3NKB96CP
Individual NPT 1" Port block kits	P3NKB98CP
Individual NPT 1-1/2" Port block kits	P3NKB9BCP
Individual BSPP 3/4" Port block kits	P3NKB16CP
Individual BSPP 1" Port block kits	P3NKB18CP
Individual BSPP 1-1/2" Port block kits	P3NKB1BCP
Combination NPT 3/4" Port block kits	P3NKB96CL
Combination NPT 1" Port block kits	P3NKB98CL
Combination NPT 1-1/2" Port block kits	P3NKB9BCL
Combination BSPP 3/4" Port block kits	P3NKB16CL
Combination BSPP 1" Port block kits	P3NKB18CL
Combination BSPP 1-1/2" Port block kits	P3NKB1BCL

Note: 2-piece filter and regulator (F+R) assemblies require a (P3NKXXCCP) port block kit.

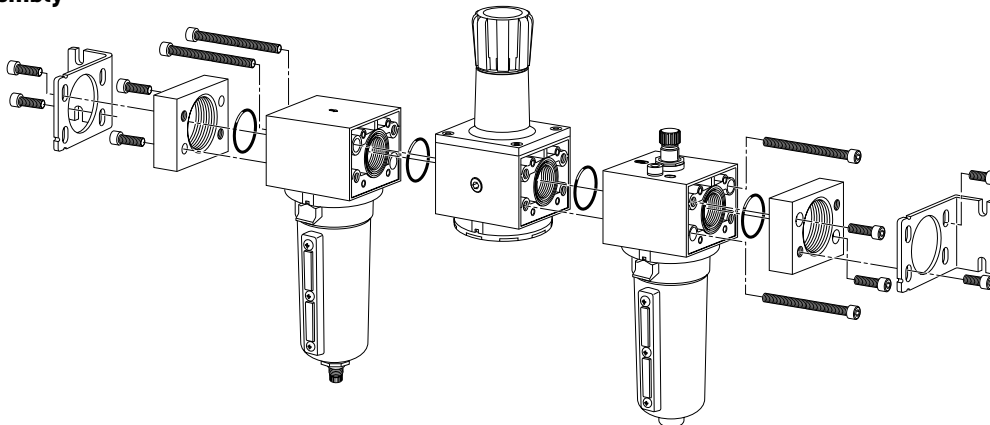
WARNING

**Product rupture can cause serious injury.
Do not connect regulator to bottled gas.
Do not exceed Maximum primary pressure rating.**

CAUTION:

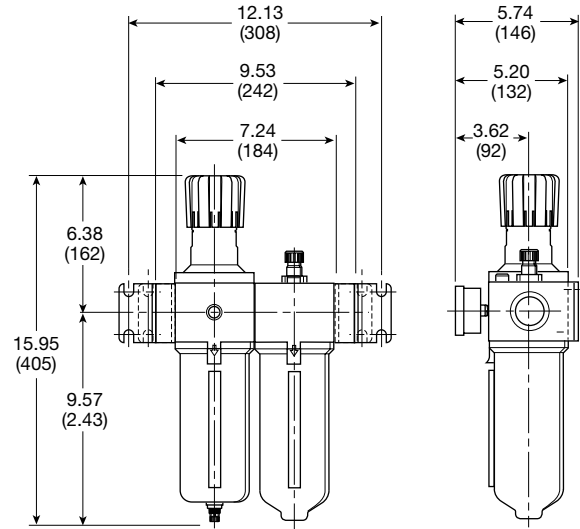
REGULATOR PRESSURE ADJUSTMENT – The working range of knob adjustment is designed to permit outlet pressures within their full range. Pressure adjustment beyond this range is also possible because the knob is not a limiting device. This is a common characteristic of most industrial regulators, and limiting devices may be obtained only by special design. For best performance, regulated pressure should always be set by increasing the pressure up to the desired setting.

Modular Assembly



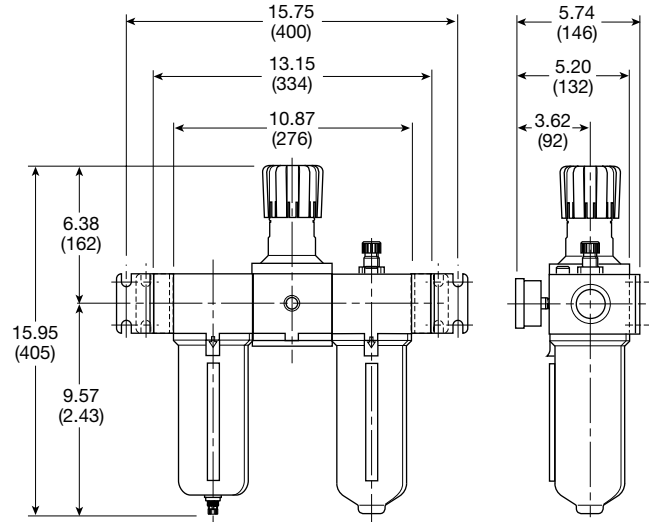
Air Preparation Products P3N Products

P3NCA (Modular 2-unit)



Inches (mm)

P3NCB (Modular 3-unit)



Inches (mm)

P3N Products

G

Filters

Coalescers

Regulators

Filter /
Regulators

Lubricators

Combinations



